

# 6. Under the Hood

## SECTION AT A GLANCE:

Firewall .....	278
Firewall Grommets .....	280
Hood Hinges .....	284
Hood Related .....	287
Horns .....	291
Valve Covers .....	292
Engine Dress-Up.....	295
Breather Caps .....	298
Russell Fittings .....	300
Thermo-Tec .....	302

**FIREWALL**



**CUSTOM FIREWALL**

These beautiful OE style reproductions are “part custom”. Many of the holes that were originally in the firewall have been purposely left filled in so that you can customize them to your own personal needs.

1955-56 (Shown) .....	#17961.....	\$619.95/ea.
1957.....	#16888.....	\$549.95/ea.



#15468



#19299

**REPLACEMENT  
SMOOTH FIREWALL PANELS**

1957 will require trimming.

1955-57 w/ 4" Setback .....	#15468.....	\$489.95/ea.
1955-57 w/ 4" Setback, Custom Curved .....	#19299.....	\$499.95/ea.



**FIREWALL HARNESS CONNECTORS AND GROMMETS**

Complete with all terminals, connector bodies and grommets.

1956-57 .....	#18275.....	\$15.95/set
---------------	-------------	-------------

**FIREWALL SEAL RETAINER CLIPS**

Factory style firewall pad retainer clips come in seven piece sets and are used to retain the pad and the steering column seals.

1955-56 7-Piece.....	#17769.....	\$18.95/ea.
----------------------	-------------	-------------



**1957 REALDUCTION AIR INDUCTION SYSTEMS**

The RealDuction front fender air induction system is the easiest way to get fresh air to your LS or other custom fresh air induction system. Made from sturdy 18-gauge steel and powdercoated black, these install in the front fender in place of the stock fresh air fender ducting with your existing sheet metal screws and allows proper installation of the front headlight bucket. The single fender kit includes one front fender air duct panel with 4-inch tubes and one firewall block off panel. The dual fender kit includes two front fender air duct panels with 4-inch tubes and two firewall block off panels.

- 1957 Single Fender** ..... #18645..... \$229.95/ea.
- 1957 Dual Fender (Shown)**..... #18646..... \$299.95/ea.

**1957 REALDUCTION FRESH AIR DUCT BLOCK-OFF PANELS**

These front fender and firewall block-off panels allow you to easily and cleanly remove the fresh air ducts from your classic. Made from sturdy 18-gauge steel and powdercoated black, these install on the front fender and firewall with your original sheetmetal screws. Using the front fender block off your front headlight buckets will install just like when the fresh air ducts were there and the firewall block-off plates cover the holes left by the vents.

- 1957 Firewall Plates Only** ..... #18643..... \$47.95/pr.
- 1957 Fender Block-Off**..... #18644..... \$154.95/pr.



#10051

**1957 FIREWALL PLATE**

- 1957 Heater Block-Off Plate w/o Heat or A/C**  
..... #10051..... \$178.95/pr.



**1957 FIREWALL PLATE LOCKS**

- 1957 Polished Aluminum** ..... #10053..... \$37.95/set



**FIREWALL-TO-HOOD SEAL CLIPS**

For use with the firewall to hood seals, parts #555 and #556, shown below.

- 1955-56 ..... #605A ..... \$3.50/set
- 1957 ..... #605 ..... \$3.50/set

**GROMMETS**



**FIREWALL BOLT SET**

Our set includes all the hardware needed to attach everything from the dimmer switch to a standard master cylinder, flat washers, split washers, split lock washers, and fasteners.

- 1955-56 ..... #2258 ..... \$19.50/set



**INNER FENDER WIRE HARNESS CLIPS**

Made in the USA.

- 1955-57 ..... #1006 ..... \$49.95/set

**FRONT FENDER ANTENNA PLUG**

For cars that do not have antennas, this plug seals the hole in the body inside the fender.

- 1955-57 ..... #804 ..... \$4.95/ea.



**RUBBER BUMPER KITS**

These kits contain bumpers for the doors, trunk, glove box and hood. Nomad kits do not include tailgate bumpers, #1822, found on page 654. Hood side bumper not included.

- 1955-57 2-Door Sedan (Shown) ... #224 ..... \$14.95/kit
- 1955-57 4-Door Sedan ..... #224A ..... \$20.95/kit
- 1955-57 2-Door Wagon ..... #224B ..... \$16.95/set
- 1955-57 4-Door Wagon ..... #224C ..... \$19.95/set
- 1955-57 2-Door Hardtop, Conv. & Nomad ..... #223 ..... \$14.95/kit
- 1955-57 4-Door Hardtop ..... #223A ..... \$15.95/kit

**FIREWALL-TO-HOOD SEALS**

This is a must-have item, and is easily replaced. Clips and mounting hardware are available, see parts #605 and #605A shown above.

Made in the USA\*.

- 1955-56 Best, 55-57 Truck ..... #555\* ..... \$14.95/ea.
- 1955-56 Good, 55-57 Truck ..... #16709 ..... \$9.95/ea.
- 1957 ..... #556\* ..... \$14.95ea.



**1955 STARTER HARNESS (EARLY) AND CONVERTIBLE TOP MOTOR HARNESS GROMMET**

This grommet fits up in the firewall behind the battery for the starter harness on early 1955's, and the convertible top power wire passes through this grommet before it connects to the convertible top switch.

- 1955 Best ..... #915 ..... \$6.95/ea.
- 1955 Good ..... #16720 ..... \$2.95/ea.



**1957 SPEEDOMETER CABLE GROMMET**

This grommet mounts in a hole in the firewall on the driver side at the top of the toe board, next to the steering column. The speedometer cable runs through it to the inside of the car where it connects to the speedo in the instrument cluster.

- 1957 ..... #823 ..... \$4.95/ea.







**FIREWALL RINGS**

These firewall rings offer you a really neat way to keep your firewall looking as good as the rest of the car. Sized for heater hoses or AC hose they feature a threaded back and an ABS nut to keep them in place. Split a length of heater hose and you can use them to route wires neatly as well.

- All Black, 1/2" Heater Hose or A/C #6 ..... #19076..... \$20.95/ea.
- All Polished, 1/2" Heater Hose or A/C #6 ..... #19077..... \$20.95/ea.
- All Machined, 1/2" Heater Hose or A/C #6 ..... #19078..... \$20.95/ea.
- All Black, 5/8" Heater Hose or A/C #8 ..... #19079..... \$20.95/ea.
- All Polished, 5/8" Heater Hose or A/C #8 ..... #19080..... \$20.95/ea.
- All Machined, 5/8" Heater Hose or A/C #8 ..... #19081..... \$20.95/ea.
- All Black, 3/4" Heater Hose or A/C #10 ..... #19082..... \$20.95/ea.
- All Polished, 3/4" Heater Hose or A/C #10 ..... #19083..... \$20.95/ea.
- All Machined, 3/4" Heater Hose or A/C #10 ..... #19084..... \$20.95/ea.

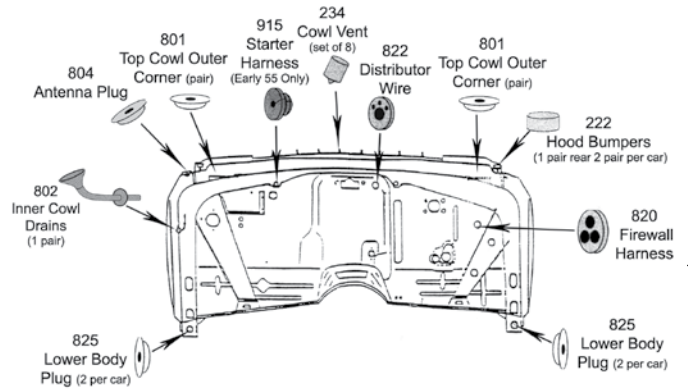


**PARKLIGHT, HEADLIGHT AND HORN WIRE GROMMETS**

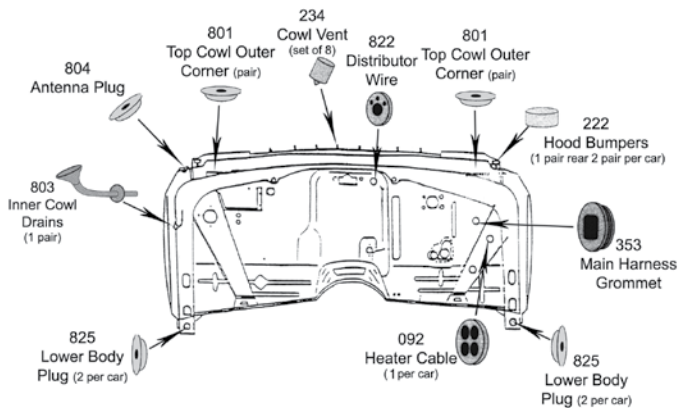
Four of these grommets protect the park light and head light wires when they go through the inner fenders. The other two install in the filler panel to protect the wire at the radiator support pass through.

- 1955-56 ..... #834..... \$5.95/set

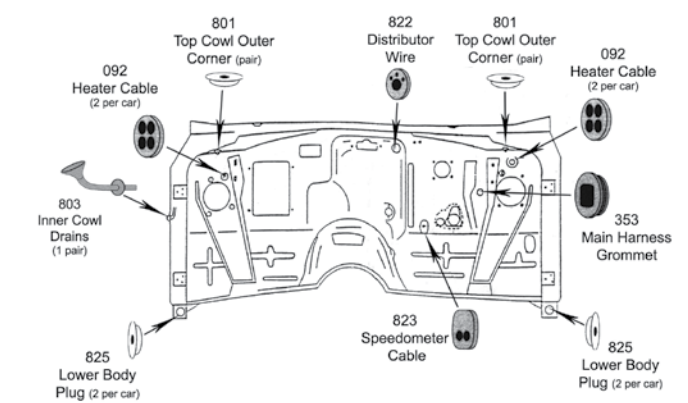
**1955 Firewall Grommets**



**1956 Firewall Grommets**



**1957 Firewall Grommets**



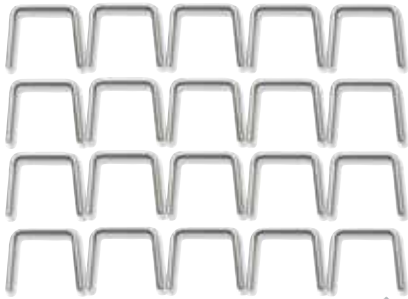


**A-ARM DUST SHIELDS** 

These shields are made exactly like Chevy's first design. Their primary job is to keep dirt out of the engine compartment, but engine heat and the elements are their chief enemy. Don't forget these important parts when restoring the engine compartment. Finish the job with new dust shield retainers (#2053 & 2054).

**Made in the USA.**

1955-56 (Shown) .....	#546 .....	\$13.95/pr.
1957 .....	#547 .....	\$14.95/pr.



**STAINLESS A-ARM DUST SHIELD STAPLES** 

Make your restoration complete by mounting your a-arm dust shields to the inner fenders with these authentic stainless steel staples. **Made in the USA.**

1955-56 .....	#2181 .....	\$4.95/set
---------------	-------------	------------



**A-ARM DUST SHIELD RETAINERS** 

Part #2053 was also used on late 1955 models. Check your car before ordering.

1956 w/ Staples .....	#2053 .....	\$12.95/set
1957 w/ Fasteners .....	#2054 .....	\$19.95/set

**FIREWALL WIRE HARNESS GROMMETS** 

Part #820 installs on the driver side of the firewall between the column and inner fender. The dimmer switch wires, main underwood harness and the speedo cable thread through this grommet. Part #353 installs higher on the firewall and the connector block between the under dash harness and headlight generator where they plug together is located here. **Made in the USA\*.**



1955 Best .....	#820 .....	\$6.95/ea.
1955 Good .....	#16717 .....	\$3.95/ea.
1956-57 .....	#353 .....	\$9.95/ea.

**DISTRIBUTOR WIRE FIREWALL GROMMET**

The distributor wire firewall grommet installs in the firewall just above the ballast resistor. The wire from the under dash to the distributor goes here.



1955-57 .....	#822 .....	\$5.95/ea.
---------------	------------	------------

**FIREWALL CABLE GROMMETS**

You will need one of these for 1956 models and two for 1957. On 1956 it mounts in the firewall on the driver side between the column and inner fender and the speedo cable runs through it. Mounts higher on the 1957 on the driver side and passenger side and it is used for the heater cables.



#092

1956-57 Best .....	#092 .....	\$6.95/ea.
1956-57 Good .....	#16691 .....	\$3.50/ea.

**HOOD BUMPERS**

Four bumpers are needed for '55-'56 models; the 1957 model requires two. Sold in pairs.



1955-72 .....	#222 .....	\$1.95/pr.
---------------	------------	------------

**1957 SPEEDOMETER CABLE GROMMET**

This grommet mounts in a hole in the firewall on the driver side at the top of the toe board, next to the steering column. The speedometer cable runs through it to the inside of the car where it connects to the speedo in the instrument cluster.



1957 .....	#823 .....	\$4.95/ea.
------------	------------	------------



**COWL VENT GROMMETS**

The install in the cowl area on top of the firewall and keep the cowl vent from rattling.

1955-56 ..... #234..... \$6.95/set

**COWL TOP OUTER CORNER RUBBER BUMPERS**

These grommets plug two holes in the outer cowl top, keeping water out of the cowl vent area.

1955-57 ..... #801..... \$6.95/pr.



**1957 REAR OF HOOD BRACE BOLT (NEAR COWL)**

1957..... #2894..... \$3.95/ea.

**SPARE TIRE WELL PLUG**

These are the plugs used in the bottom of the spare tire well. You can also use them in the ends of the rocker panels.

1955-57 ..... #825..... \$3.95/ea.



**FRONT FENDER ANTENNA PLUG**

For cars that do not have antennas, this plug seals the hole in the body inside the fender.

1955-57 ..... #804..... \$4.95/ea.



**1955 STARTER HARNESS (EARLY) AND CONVERTIBLE TOP MOTOR HARNESS GROMMET**

This grommet fits up in the firewall behind the battery for the starter harness on early 1955's, and the convertible top power wire passes through this grommet before it connects to the convertible top switch.

1955 Best ..... #915..... \$6.95/ea.  
1955 Good ..... #16720..... \$2.95/ea.



**BALLAST RESISTOR COVERS**



These little beauties are actually made out of stainless steel with a mirror bright finish that mates perfectly with our other chrome products. **Made in the USA.**

1955-57 Louvered ..... #2510..... \$25.95/ea.



**1957 POLISHED STAINLESS COWL BRACE COVER WITH CAP NUTS**

Made in the USA.

1957..... #10562..... \$19.95/set



**COWL VENT SCREWS**

1955-56 ..... #11948..... \$2.95/set



**FENDER TO COWL BRACKET WASHERS**

1955-57 ..... #18024..... \$3.50/pr.

**COWL TAG RIVETS**

Why use standard "pop rivets" or sheet metal screws when you now can get the correct tag rivets. For use on all GM models.

1955-75 ..... #2687..... \$8.95/pr.





**HOOD HINGES**

**HOOD HINGES**

Replace those worn, loose hinges with new ones. These hinges are designed to have the look, function and fit of the original. To complete the job, use with our hood springs, part #475, #476 or #477 shown on page 288.

- 1955-56 ..... #1216.....\$169.95/pr.
- 1957..... #12223.....\$169.95/pr.

**POLISHED STAINLESS HOOD HINGES**

- 1955-56 ..... #12380.....\$399.95/pr.
- 1957..... #12381.....\$389.95/pr.



**1957 STEEL HOOD HINGES** 

Replace those worn, loose hinges with new ones. These hinges are designed to have look, function and fit of the originals.

- 1957 Driver..... #16131.....\$89.95/ea.
- 1957 Passenger ..... #16132.....\$89.95/ea.





**BILLET SPECIALTIES HOOD HINGES**

Now with springs included these Billet Specialties' precision machined, straight razor style hood hinges not only upgrade the hardware under your hood but look good while doing it! Manufactured from 6061-T6 billet they feature precision sealed bearings for smooth operation and come complete with stainless mounting hardware.

- 1955-56 Polished..... #19308.....\$669.95/pr.
- 1955-56 Black Anodized ..... #19309.....\$699.95/pr.
- 1955-56 Machined..... #19310.....\$599.95/pr.

**BILLET SPECIALTIES HOOD HINGE HD GAS SPRINGS**

- All Polished, 350-lbs/in. .... #17797.....\$189.95/pr.



**RING BROTHERS BILLET FRONT ADJUSTABLE HOOD STOPS**

Designed to match their hood hinges, these hood stops are just the compliment you need under your hood. Sorry, 1955-56 rear adjusters are not available in billet. Available in natural, black and gray finishes.



- 1955-57 Natural..... #16469.....\$74.95/pr.
- 1955-57 Black..... #16470.....\$74.95/pr.

**HOOD HINGES**



#16247

**EDDIE MOTORSPORTS BILLET HOOD HINGES**

These billet hood hinges by Eddie Motorsports are exactly what you need to finish off the engine compartment of your classic. CNC machined from 6061-T6 billet they utilize a sealed bearing for ultra smooth operation and a stainless steel gas spring to complete the look.

<b>1955-56 Machined</b> .....	<b>#16244</b> .....	<b>\$640.95/pr.</b>
<b>1955-56 Polished</b> .....	<b>#16245</b> .....	<b>\$695.95/pr.</b>
<b>1957 Machined</b> .....	<b>#16247</b> .....	<b>\$640.95/pr.</b>
<b>1957 Polished</b> .....	<b>#16248</b> .....	<b>\$695.95/pr.</b>



**EDDIE MOTORSPORTS BILLET TRUNK HINGES**

These billet trunk hinges match the Eddie Motorsports hood hinges and add a custom touch to an often-overlooked area. Billet hinges replace the stock torsion bar with a modern gas spring mounted on each hinge for smooth operation. Complete with mounting hardware and instructions. For convertible applications just switch the hinges and mount the gas spring to the wheel well.

<b>1955-57 Machined, Hardtop &amp; Convertible</b> .....	<b>#16496</b> .....	<b>\$340.95/pr.</b>
<b>1955-57 Polished, Hardtop &amp; Convertible</b> .....	<b>#16497</b> .....	<b>\$370.95/pr.</b>
<b>1955-57 Machined, Sedan</b> .....	<b>#16498</b> .....	<b>\$352.95/pr.</b>
<b>1955-57 Polished, Sedan</b> .....	<b>#16499</b> .....	<b>\$370.95/pr.</b>



#16632

#16633

#16636

**EDDIE MOTORSPORTS BILLET HOOD BRACES** O/S

These billet aluminum hood braces replace the stamped steel baffle and include stainless hardware.

1955 Machined.....	#16632.....	\$177.95/ea.
1956 Machined.....	#16633.....	\$177.95/ea.
1957 Machined.....	#16634.....	\$177.95/ea.
1955 Polished.....	#16635.....	\$201.95/ea.
1956 Polished.....	#16636.....	\$201.95/ea.
1957 Polished.....	#16637.....	\$201.95/ea.



#16663

**EDDIE MOTORSPORTS BILLET HOOD BRACE SUPPORTS** O/S

#16668

These billet brace supports give you that finishing touch to your engine compartment to an area that is usually overlooked. Available in either machined or polished. Designed for use with EMS billet hood braces.

1955 Machined.....	#16663.....	\$114.95/pr.
1955 Polished.....	#16664.....	\$128.95/pr.
1956 Machined.....	#16665.....	\$114.95/pr.
1956 Polished.....	#16666.....	\$128.95/pr.
1957 Machined.....	#16667.....	\$114.95/pr.
1957 Polished.....	#16668.....	\$128.95/pr.



**1955 HOOD BAFFLE BRACE** O/S

This hood baffle brace supports the center hood baffle.

1955.....	#16214.....	\$88.95/ea.
-----------	-------------	-------------



**1955 HOOD BRACE RODS**

Rivets for these are not longer being produced. Install with a nut and bolt.

1955 Driver.....	#1902.....	\$20.95/ea.
1955 Passenger.....	#1903.....	\$20.95/ea.



**1957 HOOD REINFORCEMENT BRACE**

1957 Center.....	#15312.....	\$74.95/ea.
------------------	-------------	-------------

HOOD RELATED



**1957 HOOD BAFFLE BRACE**



1957.....	#15215.....	\$89.95/ea.
-----------	-------------	-------------



**1957 CUSTOM HOOD BAFFLE BRACE**



Allows use of 1955-56 center outlet 6-cylinder radiators. Ideal for long water pumps or big block applications.

1957.....	#18304.....	\$94.95/ea.
-----------	-------------	-------------



**HOOD SPRINGS**



We have made every effort possible to manufacture an original looking and long wearing hood spring for your classic, dipped black like original to give you that showroom fresh look. Sold separately, but best purchased in pairs for even spring tension. **Made in the USA.**

1955 & 1955-57 Truck.....	#475.....	\$14.95/ea.
1956.....	#476.....	\$14.95/ea.
1957.....	#477.....	\$14.95/ea.



**POLISHED STAINLESS HOOD SPRINGS**

Built to the same specs as the originals, but made of polished stainless steel to add some shine.

1955.....	#17613.....	\$99.95/pr.
1956.....	#17614.....	\$99.95/pr.
1957 (Shown).....	#17615.....	\$109.95/pr.

**HOOD STOP BOLTS**

This is the bolt that supports the rubber hood bumper #222 shown on next page. See parts #1034/#1035 for complete kits.

1955-70 Front.....	#1030.....	\$1.95/ea.
1955-56 at Cowl.....	#1031.....	\$2.25/ea.



**ADJUSTABLE HOOD STOP KITS**

This complete assembly will quiet that hood rattle and help to align the seams. Nuts and bolts are cad plated.

1955-56.....	#1035.....	\$12.95/set
1957.....	#1034.....	\$6.95/set





**SELF-LOCKING HOOD AND TRUNK PROP RODS**

Lokar's self-locking adjustable prop rods are made of aluminum and stainless steel. Six level versions open in 6-inch increments while the 3 level versions open in 12-inch increments. Made for universal applications.

- All Polished, Adj Level, 3 Level ..... #14548..... \$99.95/set
- All Polished, Adj Level, 6 Level ..... #14549..... \$99.95/set



**HOOD HINGE HARDWARE KITS**

- 1955-56 Stainless..... #2881.....\$21.95/kit
- 1957 Stainless..... #2879.....\$21.95/kit
- 1955-56 Plated..... #2882.....\$19.95/kit
- 1957 Plated..... #2880.....\$19.95/kit



**HOOD HINGE WASHERS**

- 1955-56 Set of 8..... #18020..... \$8.95/set
- 1957 Set of 10..... #18021..... \$10.95/set

HOOD RELATED



**STAINLESS HOOD HINGE BOLT KIT**

- 1955-57 w/ Bowtie..... #14278.....\$19.95/kit

**HOOD HINGE TO HOOD BOLTS**

When replacing your hood or hood hinges be sure to use new hardware. This set includes stainless steel washers, steel bolts, plated to resist corrosion.



- 1955-57 ..... #2260..... \$7.95/set



**HOOD SIDE BUMPERS**

These important bumpers, located on either side of the hood, help to keep the hood properly aligned and in place. **Made in the USA.**

- 1955..... #225..... \$10.95/set
- 1956-57 ..... #226.....\$7.95/pr.

**1957 HOOD HINGE TO FENDER BRACKETS AND BOLTS**

Replace those rusted, pitted, or lost hood hinge brackets. The 1957 hood hinge needs this fastener to stay properly secured to the fender.



- 1957..... #1480..... \$11.95/set

**HOOD BUMPERS**

Four bumpers are needed for '55-'56 models; the 1957 model requires two. Sold in pairs.

- 1955-72 ..... #222.....\$1.95/pr.



**1957 HOOD BRACE SCREWS**

For hood ends.

- 1957.... #2893.....\$3.95/pr.



**1957 HOOD RADIUS ROD WASHERS**

- 1957.... #18023.....\$3.50/pr.



**EDDIE MOTORSPORTS  
BILLET HOOD LATCH PLATES AND SUPPORTS**

**HOOD RELATED** This beautifully crafted billet latch plate and support match the EMS hood braces and supports, but is a stand out on its own. Machined or polished, either way it is sure to add that custom touch under the hood of your classic.

1955 Machined .....	#16669.....	\$138.95/set
1955 Polished.....	#16670.....	\$160.95/set
1956 Machined.....	#16671.....	\$143.95/set
1956 Polished.....	#16672.....	\$160.95/set
1957 Machined.....	#16673.....	\$160.95/set
1957 Polished.....	#16674.....	\$184.95/set



**HOOD LATCH ASSEMBLIES**

Latches come with required springs and are gold cad plated (originals were silver). Be sure to order hood latch screw set #2900, at left below, to complete the job.

1955 .....	#14943.....	\$79.95/ea.
1956.....	#15896.....	\$79.95/ea.
1957.....	#15897.....	\$79.95/ea.



**HOOD LATCH SUPPORTS**

1955.....	#1147.....	\$24.95/ea.
1956.....	#14972.....	\$26.95/ea.
1957.....	#1149.....	\$24.95/ea.



**BILLET STAINLESS HOOD LATCH STRIKER**

1955-57 with Screws .....	#18988.....	\$159.95ea.
---------------------------	-------------	-------------



**HOOD LATCH SCREWS**

1955-57 .....	#2900.....	\$8.95/set
---------------	------------	------------

**POLISHED  
HOOD LATCH PLATE**

This polished aluminum, shorter length, latch plate gives you an extra 1/2-inch clearance for your A/C condenser.



1955-57 Short.....	#13788.....	\$67.95/ea.
--------------------	-------------	-------------



**HOOD LATCH PLATES**

1955-57 Chrome .....	#18033.....	\$29.95/ea.
1955-57 .....	#1150.....	\$13.95/ea.



#18458

#18457

**HORN ASSEMBLIES**

These brand new horns are accurately reproduced to match the originals. They even have the AC-Delco logo molded into them. Sold in pairs.

- 1955-56 ..... #18457 ..... \$159.95/pr.
- 1957..... #18458..... \$159.95/pr.



**HORN COVERS**

For those who are restoring their original horns. Here are some beautiful repros to replace damaged or missing originals. Available in black or chrome.

- 1955-56 Black..... #17690..... \$16.95/ea.
- 1955-56 Chrome ..... #17691..... \$23.95/ea.



**HORN RELAYS**

- 1955-56 ..... #111..... \$20.95/ea.
- 1957..... #112..... \$19.95/ea.



#11303

**REPLACEMENT HORNS**

- 1955-57 High Note..... #11303..... \$20.95/ea.
- 1955-57 Low Note..... #11304..... \$22.95/ea.



**INNER FENDER WIRE HARNESS CLIPS**

Made in the USA.

- 1955-57 ..... #1006..... \$49.95/set

**HOOD LATCH SPRING SET**

As springs age they lose their tension; fatigued springs may not hold the hood securely in place. You can solve this problem easily by installing a new hood latch spring set. When you replace these parts you may need to replace the hood latch plate and support; both shown at left.



- 1955-57 ..... #2184..... \$19.95/set



**HORN POST INSULATORS**

- 1955-56 ..... #14969..... \$8.95/pr.

**1957 HORN WIRE TO INNER FENDER CLIPS**

These clips keep the horn wire in place on the radiator core support filler panels.



- 1957..... #1485..... \$11.95/pr.



VALVE COVERS



**PML FINNED ALUMINUM VALVE COVERS WITH "CHEVROLET" SCRIPTS**

These sand cast aluminum valve covers feature raised "Chevrolet" script lettering and seven fins. These valve covers feature cast-in baffling and a mid-height design that will clear most roller and/or ratio rockers. All of these covers feature thick side walls and gasket flanges that will not bend when bolts are tightened, cast-in internal baffles (1960-86 version). The 1955-59 valve covers do not have a provision for PCV, breather or oil fill because the original valve covers did not have a provision for PCV, breather or oil fill. This was done in the intake manifold. The 1955-59 versions have staggered bolt holes for 1955 to early 1959 cylinder heads. Parts #17188, 17189 and 17190 are available machined with PCV and breather holes by special order. All these PML valve covers are also available in black by special order.

1955-59 Cast.....	#17185.....	\$274.95/pr.
1955-59 Orange.....	#17186.....	\$434.95/pr.
1955-59 Polish.....	#17187.....	\$549.95/pr.
Late 59-86 Cast.....	#17188.....	\$274.95/pr.
Late 59-86 Orange.....	#17189.....	\$449.95/pr.
Late 59-86 Polished.....	#17190.....	\$549.95/pr.



**EDELbrock CLASSIC FINNED VALVE COVERS**

They were an instant classic in the 50's and are still today. They're available with or without breather holes and are available in polished or classic black. Be sure to order a matching air cleaner.

**1959-86 Polished, SB w/ Breather Hole**

..... #15004..... \$256.95/ea.

**1959-86 Black, SB.....** #15005..... \$242.95/ea.

**1959-86 Black, SB w/ Breather Hole**

..... #15006..... \$274.95/ea.

**1965-Up Black, BB 396/502.....** #15007..... \$256.95/ea.



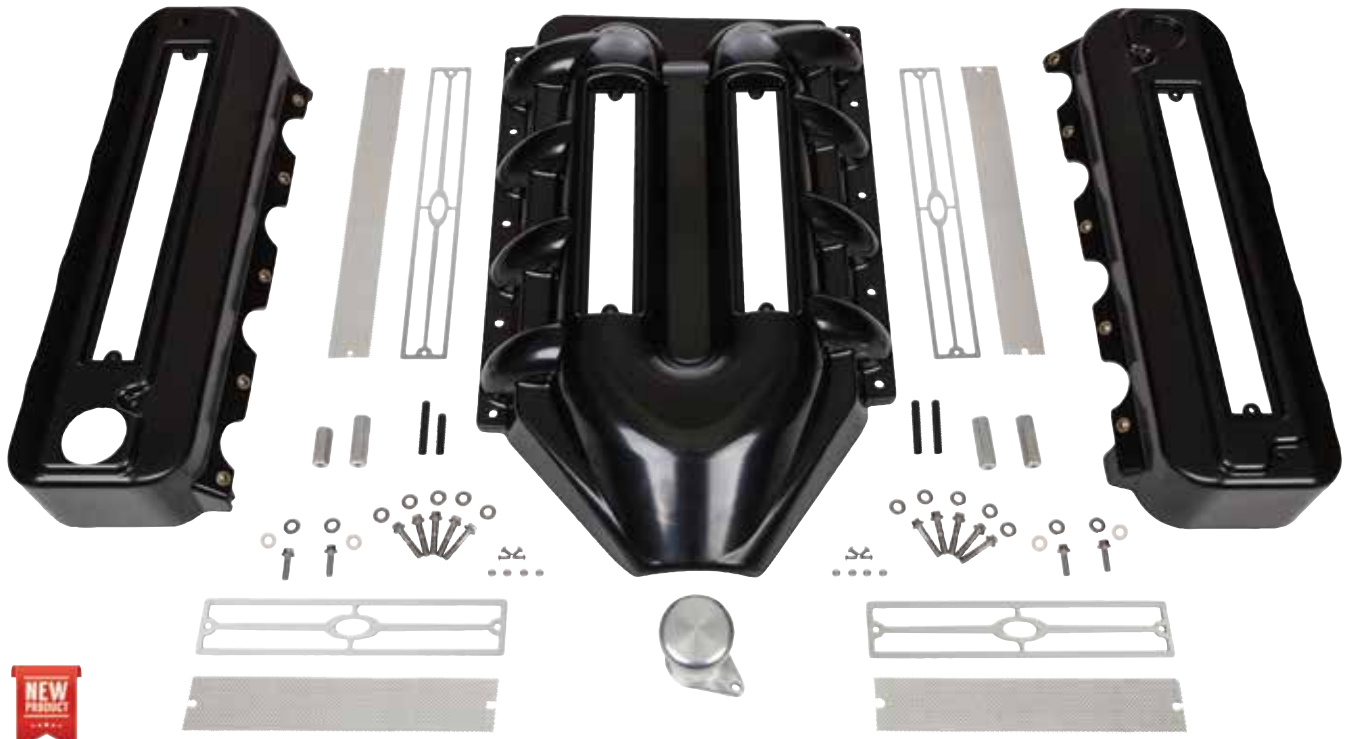
**VALVE COVERS FOR SMALL BLOCKS**

Made of heavy-gauge steel, these covers are at least 20% thicker than typical aftermarket valve covers. Leakage problems caused by over-torqued fasteners are eliminated. Beautiful chrome plating meets GM quality specifications, and all covers bear the bowtie logo. For use on late 1959-86 Chevy small blocks. Include the PCV baffle for those who wish to maintain the PCV hook-up. **Technical Note:** Production height valve covers and valve covers with baffles will not clear most stud girdle applications. All valve covers are sold in pairs and are equipped with air breather and PCV grommets, unless otherwise specified. These valve covers are not for use with staggered heads, nor are they legal for sale or use in California on pollution controlled vehicles. Gaskets and hardware not included.

**1959-86 Short Cover w/ Baffle.....** #1931..... \$69.95/pr.

**1959-86 Tall Cover w/ Baffle.....** #1932..... \$84.95/pr.





### AVS SPEEDCOVER LS ENGINE COVERS

The AVS Speedcover kits leaves nothing to the imagination in LS Performance styling! **Made in the USA** from a high temperature resistant automotive poly carbonate and featuring 6061 billet aluminum cover inserts. This kit is compatible with any automotive paint or hydro dipping for endless customizing capabilities! AVS engineered the LS1 Speedcover kit to fit LS1, 2, 3 passenger car intakes and coil packs only. Kit includes: valve covers, intake cover, cover inserts, ARP mounting hardware, billet aluminum oil filter and aluminum cylinder stand offs. Please note: some trimming required depending on accessory configuration. Must install aftermarket fuel rails, Holley part #534-210 recommended.

- All LS1, w/ Oval Inserts ..... #19282..... \$899.95/kit.
- All LS2/LS3, w/ Oval Inserts..... #19283..... \$949.95/kit.



### AVS SPEEDCOVER LS COVER INSERTS

- All Valve Cover Inserts, LS1 ..... #19284..... \$74.95/pr.
- All Valve Cover Inserts, LS2 ..... #19285..... \$74.95/pr.
- All Valve Cover Inserts, LS3 ..... #19286..... \$74.95/pr.
- All Valve Cover Inserts, LS Perform#19287..... \$74.95/pr.

### NOTE ON AFTERMARKET VALVE COVERS:

Most aftermarket valve covers do not fit heads with a staggered bolt pattern, and will not fit 1955-early 1959 original V8's. All valve covers listed on page 292-296 are considered aftermarket valve covers, except #17185, #17186 and #17187 which have staggered holes.



Photo courtesy of GERTMAN2000



**PML SMALL BLOCK ALUMINUM VALVE COVERS WITH "CHEVROLET" SCRIPT**

Parts are available machined with PCV and breather holes by special order. All these PML valve covers are also available in black by special order.

- 1959-86 Cast..... #18158.....\$274.95/pr.
- 1959-86 Polished..... #18159.....\$499.95/pr.
- 1959-86 Orange..... #18160.....\$449.95/pr.



**BILLET SPECIALTIES STREAMLINE VALVE COVERS**

Billet Specialties Streamline valve covers offer a fresh new look for your classic Chevy. Precision machined billet single raised rib on a cast aluminum valve cover compliments any exterior cue. See page 327 for matching air cleaner.

- 1959-86 SB, Black..... #17792.....\$279.95/pr.



**BILLET SPECIALTIES RIBBED VALVE COVERS**

- 1959-86 SB, Tall..... #17078.....\$219.95/pr.



**BILLET SPECIALTIES BALL MILL VALVE COVERS**

- 1959-86 SB, Short..... #17079.....\$119.95/pr.
- 1959-86 SB, Tall..... #17080.....\$119.95/pr.
- All BB, Short..... #17086.....\$199.95/pr.
- All BB, Tall..... #17087.....\$199.95/pr.



**BILLET SPECIALTIES "CHEVROLET" VALVE COVERS**

- 1959-86 SB, Short..... #17081.....\$164.95/pr.
- 1959-86 SB, Tall..... #17082.....\$156.95/pr.
- All BB, Tall..... #17085.....\$199.95/pr.



**PROFORM HIGH TECH SERIES DRESS-UP KITS**

Give your engine a truly unique and striking look. These stamped steel bolt-on dress-up parts are available in either high-tech metallic gray, black crinkle (shown on page 296) or chrome and are finished off with bowtie and “Chevrolet” emblems. Each kit includes: late 1959-86 valve covers, air cleaner, timing chain cover, breather cap, wing nuts and hold-down clamps.

<b>1959-86 SB, Gray</b> .....	<b>#13824</b> .....	<b>\$261.95/kit</b>
<b>1959-86 SB, Chrome</b> .....	<b>#13825</b> .....	<b>\$266.95/kit</b>



**SMALL BLOCK CHEVY ENGINE DRESS-UP KIT**

Chevy orange valve covers, with their distinctive look and boldly striking bowtie and “CHEVROLET” emblems, inlaid with black paint. For long-term corrosion resistance the parts are electrostatically painted and baked with a durable orange epoxy. The kits include a pair of tall baffled bowtie valve covers, a 14-inch classic bowtie air cleaner kit, a bowtie timing chain cover, eight bowtie valve cover mini nuts, eight bowtie valve cover hold-down clamps, and a matching bowtie push-in valve cover breather cap.

<b>1959-86</b> .....	<b>#16906</b> .....	<b>\$261.95/kit</b>
<b>1959-86 SB, Valve Covers Only, Tall</b> .....	<b>#16907</b> .....	<b>\$87.95/ea.</b>
<b>1959-86 14" Air Cleaner Only</b> .....	<b>#16908</b> .....	<b>\$86.95/ea.</b>





**BLACK CRINKLE ENGINE DRESS-UP KIT**

This engine dress-up kit from Proform is first CED painted for long term corrosion resistance and then over-painted in nostalgic crinkle black. The boldly striking bowtie and the "Chevrolet" emblems are inlaid with red. Kit includes: one pair of tall baffled valve covers, 14-inch air cleaner kit, timing chain cover, eight wing nuts, eight bowtie valve cover hold-down clamps and a matching push-in valve cover breather cap.

- 1959-86 Black Crinkle, Tall, SB..... #13826..... \$261.95/kit
- 1959-86 Black Crinkle, Tall, SB, Valve Covers Only..... #13828..... \$89.95/kit



**PROFORM VALVE COVER WING NUTS**

All Black Crinkle..... #13831..... \$24.95/set



#18236

**ARP STAINLESS VALVE COVER BOLTS**

- All Hex Head, SB w/ Cast Aluminum Covers ..... #14023..... \$24.95/set
- All 12-Point Head, SB w/ Cast Alum. Covers (Shown) ..... #14024..... \$28.95/set
- All Hex Head, SB w/ Steel Covers ..... #14025..... \$24.95/set
- All 12-Pt. Head, SB w/ Steel Covers ..... #14026..... \$26.95/set
- All Hex Head, BB w/ Cast Aluminum Covers ..... #14027..... \$41.95/set
- All 12-Pt. Head, BB w/ Cast Alum. Covers ..... #14028..... \$47.95/set
- All Hex Head, BB w/ Steel Covers ..... #14029..... \$39.95/set
- All 12-Pt. Head, BB w/ Steel Covers ..... #14030..... \$43.95/set
- All Hex, LS ..... #18236..... \$74.95/kit
- All 12-Pt, LS..... #18237..... \$79.95/kit



**VALVE COVER SCREWS AND WASHERS**

This is the only way to properly mount your original valve covers. Screws and washers have a bright cad plate finish.  
1955-57 ..... #1163..... \$9.95/set



**"CHEVROLET" VALVE COVER STENCIL**



Without this kit, painting your valve covers can be a painstaking process. Restore that factory look to your engine compartment. Includes two adhesive-backed stencils per kit. **Made in the USA.**

- 1955-57 V8 ..... #932..... \$14.95/kit



**VALVE COVER FASTENERS**

The distinct bowtie logo is featured on each wing nut. Shafts have a wide base for a broad load distribution. Each nut is supplied with a separate stud for proper positioning of the valve cover gasket prior to mounting of the valve cover. Fasteners fit both small and big block. 1/4-inch 20 threads; Four per package.



All..... #1933..... \$24.95/set



**6-CYLINDER GASKET SETS**

1955-57 Valve Cover..... #18132..... \$10.95/set  
 1955-57 Pushrod Cover..... #18133..... \$9.95/ea.



**SMALL BLOCK VALVE COVER GASKET**

Two required per car. Genuine GM.  
 1955-72 Cork..... #11193..... \$14.95/ea.



**BIG BLOCK VALVE COVER GASKETS**

All Cork..... #17346..... \$13.95/pr.

**PCV VALVE CONVERSION KIT**

Designed for 265 and 283 c.i. motors with factory draft tubes. A common complaint of 5-6-7 owners are fumes coming from the draft tube. The PCV kit is designed to route those fumes back into the motor and burn them.



1956-57 ..... #13282..... \$42.95/kit



**BILLET SPECIALTIES HEX VALVE COVER HOLD-DOWNS**

All 4-Pack..... #17083..... \$27.95/set



**BILLET SPECIALTIES VALVE COVER LONG STUD KIT**

All 4-Pack..... #17084..... \$6.95/kit

**VALVE COVER HOLD-DOWN CLAMPS**

By spreading the load over a wider area, these clamps minimize distortion of the valve cover flanges, decreasing the possibility of oil leakage. Fits all small block engines through 1986. Sold separately.  
 1955-86 ..... #1934..... \$1.95/ea.



**VALVE COVER AIR CLEANER BRACES**

These braces help support the dual 4-barrel batwing air cleaner assembly and mounts between the valve covers and the air cleaner pots.  
 1956 Dual 4BC..... #15536..... \$17.95/pr.  
 1957 Dual 4BC..... #15537..... \$17.95/pr.



**VENTED OIL CAP**

A stainless version of the high performance V8 oil cap (Part #1290). It features OIL markings stamped in beautiful stainless steel. Vented with filter. **Made in the USA.**



1955-64 Polished Stainless ..... #18972..... \$29.95/ea.

**HIGH PERFORMANCE OIL BREATHER CAP**

Original equipment for high performance V8's, this hard-to-find cap features "OIL" markings stamped in beautiful, silver finished steel. Vented with filter.



1955-57 ..... #1290..... \$33.50/ea.

**BREATHER CAPS**



#12485



#12491

**BILLET BREATHER CAPS**

All are push-in style. Use with part #1938 grommets shown below at right.

All Polished..... #12485..... \$25.95/ea.

All w/ PCV, Polished, Plain ..... #12491..... \$31.95/ea.



**VALVE COVER OIL FILLER CAP**

This Billet Specialties push-in valve cover oil filler cap is precision machined from 6061-T6 billet aluminum and polished to a mirror finish. It features a knurled edge for a positive grip and will fit Billet Specialties brand valve covers or other valve covers with a 1-1/4-inch hole. **Made in the USA.**

All Push-In, 1-1/4" Hole ..... #18597. \$32.95/ea.



**TWIST-ON VALVE COVER BREATHER CAP**

This twist-on cap utilizes two small metal tabs on its collar to keep it in place. For use with valve covers that have tab cutouts around the breather cap hole. Outside diameter is 3-inch. Features bowtie logo. **Technical Note:** Manufactured with non-asbestos gaskets. It may be necessary to remove one gasket for proper clearance.

All Chrome ..... #1937... \$11.95/ea.



**OIL FILLER BREATHER CAP**

This is the authentic Chevy design cap used from 1955 to 1957. Painted black; includes raised "OIL" markings.

1955-57 V8 ..... #995..... \$24.95/ea.



**POLISHED BILLET OIL CAP**

Use with valve covers with 1.22-inch holes. Use with part #1938 grommets shown at right.

All Plain, Push-In ..... #12497. \$12.95/ea.



**PUSH-ON VALVE COVER BREATHER CAP**

This breather cap features the bowtie logo and 3-inch diameter. For use with oil filler tube #1981 or others with a 1.82-inch opening.

All..... #1935... \$12.95/ea.



**PUSH-IN BREATHER CAP**

This 3-inch diameter breather cap is for use with valve covers with grommets fitting 1.22-inch holes. Use with grommet from set #1938, shown below. Features bowtie logo.

All..... #1936... \$11.95/ea.



**CHROME VALVE COVER BREATHER CAP**

1987-93 ..... #2482..... \$8.95/ea.



**OIL FILLER BREATHER CAP**

1955-57 Replacement, 6-Cyl. .... #18216... \$7.95/ea.



**VALVE COVER BREATHER CAP GROMMETS**

Includes a grommet for the breather cap and one for the PCV valve.

All..... #1938..... \$5.95/set



**BILLET SPECIALTIES RETRO BREATHER CAPS**

All Plain, Polished .....	#17578.....	\$59.95/ea.
All w/ PCV, Plain, Polished .....	#17579.....	\$59.95/ea.
All w/ Script, Polished.....	#17580.....	\$69.95/ea.
All w/ PCV, w/ Script Polished .....	#17581.....	\$69.95/ea.
All w/ Script, Black .....	#17582.....	\$69.95/ea.
All w/ PCV, w/ Script, Black.....	#17583.....	\$69.95/ea.



#17077

#17076

**BILLET SPECIALTIES RIBBED, OVAL BREATHER CAPS**

All PCV.....	#17077.....	\$59.95/ea.
All.....	#17076.....	\$54.95/ea.

#17101



#17099

**BILLET SPECIALTIES POLISHED HOSE ENDS**

For use with rubber or braided hoses.

All 3/8" Rubber .....	#17097.....	\$14.95/ea.
All 3/8" Braided .....	#17098.....	\$13.95/ea.
All 5/8" Rubber .....	#17099.....	\$16.95/ea.
All 5/8" Braided .....	#17100.....	\$16.95/ea.
All 1-1/2" Rubber .....	#17101.....	\$26.95/ea.
All 1-3/4" Rubber .....	#17102.....	\$26.95/ea.



**BILLET SPECIALTIES BALL MILLED BREATHER CAPS**

All.....	#17074.....	\$39.95/ea.
All PCV.....	#17075.....	\$39.95/ea.



**BILLET SPECIALTIES BREATHER CAPS WITH BOWTIE**

All.....	#17072.....	\$46.95/ea.
All PCV.....	#17073.....	\$46.95/ea.



**BILLET SPECIALTIES PCV VALVE**

All Polished .....	#17071.....	\$33.95/ea.
--------------------	-------------	-------------



**BILLET ALUMINUM VALVE COVER BREATHER CAP**

Matches Victor Series valve covers.

All Black .....	#14999.....	\$44.95/ea.
-----------------	-------------	-------------





For over a quarter century, Russell's full flow hoses and hose ends have been the choice of professionals. Whether it's the classic anodized finish, the stainless look of Endurashine, or the subtle look of the black ProClassic Series, Russell offers you the best hoses and fittings available anywhere. Russell fittings are interchangeable with many other manufacturers.



**RUSSELL PERFORMANCE PROCLASSIC HOSES**

Both the ProClassic and the ProClassic II series hoses are great choices. These hoses feature a lightweight nylon fiber outer braid over a durable rubber core with a maximum pressure rating of 350 psi. These are capable of handling nearly every plumbing task on your car and is safe to use with fuel, oil or antifreeze. -6AN is equivalent to 3/8" hose, -8AN is equivalent to 1/2" hose, -10AN is equivalent to 5/8" hose. Only difference between the two series is the II is solid black while the original ProClassic has a subtle blue thread woven in the nylon braid, shown above.

- All Black, 6AN, 6ft. #14525..... \$48.95/FT
- All Black, 8AN, 6ft. #14526..... \$49.95/FT
- All Black, 10AN, 6ft. #14527..... \$55.95/FT
- All Black, 6AN, 10ft. #14529..... \$69.95/FT
- All Black, 8AN, 10ft #14530..... \$79.95/FT
- All Black, 10AN, 10ft. #14531..... \$85.95/FT



**HOSE ENDS**

- All 4AN, Straight... #14326..... \$8.95/ea.
- All 6AN, Straight... #14327..... \$6.95/ea.
- All 8AN, Straight... #14328..... \$9.95/ea.
- All 10AN, Straight. #14329..... \$11.95/ea.
- All 4AN, 45°, ..... #14331..... \$16.95/ea.
- All 6AN, 45°, ..... #14332..... \$10.95/ea.
- All 8AN, 45°, ..... #14333..... \$10.95/ea.
- All 10AN, 45°, ..... #14334..... \$21.95/ea.
- All 4AN, 90°, ..... #14336..... \$17.95/ea.
- All 6AN, 90°, ..... #14337..... \$10.95/ea.
- All 8AN, 90°, ..... #14338..... \$17.95/ea.
- All 10AN, 90°, ..... #14339..... \$25.95/ea.



**FLARE UNIONS**

- All 6AN ..... #14356..... \$3.95/ea.
- All 8AN ..... #14357..... \$6.95/ea.
- All 10AN ..... #14358..... \$6.95/ea.
- All 6AN, Black..... #14429..... \$4.95/ea.
- All 8AN, Black..... #14430..... \$7.95/ea.
- All 10AN, Black.... #19330..... \$4.95/ea.

**FLARE TEES**

- All 6AN ..... #14382..... \$13.95/ea.
- All 8AN ..... #14383..... \$15.95/ea.



**ADAPTERS**

- All 4AN Flare to 1/8" NPT ..... #14359..... \$3.95/ea.
- All 6AN Flare to 1/4" NPT ..... #14360..... \$5.95/ea.
- All 6AN Flare to 1/8" NPT ..... #14361..... \$4.95/ea.
- All 6AN Flare to 3/8" NPT ..... #14362..... \$4.95/ea.
- All 8AN Flare to 1/4" NPT ..... #14363..... \$4.95/ea.
- All 8AN Flare to 3/8" NPT ..... #14364..... \$4.95/ea.
- All 8AN Flare to 1/2" NPT ..... #14365..... \$4.95/ea.
- All 10AN Flare to 1/2" NPT ..... #14366..... \$4.95/ea.

**SWIVEL COUPLERS**

- All 6AN, Straight... #14341..... \$9.95/ea.
- All 8AN, Straight... #14342..... \$12.95/ea.
- All 10AN, Straight. #14343..... \$17.95/ea.
- All 6AN, Black, Straight ..... #14435..... \$11.95/ea.
- All 8AN, Black, Straight ..... #14436..... \$13.95/ea.
- All 10AN, Black, Straight ..... #14437..... \$17.95/ea.
- All 6AN, Endura, Straight ..... #14475..... \$14.95/ea.
- All 8AN, Endura, Straight ..... #14476..... \$16.95/ea.
- All -0AN, Endura, Straight ..... #14477..... \$18.95/ea.



**PROFLEX HOSES**

ProFlex hoses are rated up to 1000 psi. Not for use as power steering pressure line.

- All 4AN, 6ft ..... #14507..... \$38.95/ea.
- All 6AN, 6ft ..... #14508..... \$39.95/ea.
- All 8AN, 6ft ..... #14509..... \$39.95/ea.
- All 10AN, 6ft. .... #14510..... \$49.95/ea.
- All 4AN, 10ft. .... #14512..... \$63.95/ea.
- All 6AN, 10ft. .... #14513..... \$59.95/ea.
- All 8AN, 10ft. .... #14514..... \$73.95/ea.
- All 10AN, 10ft. .... #14515..... \$85.95/ea.



**POWERFLEX HOSES**

PowerFlex hose is rated 2500 psi and is recommended for power steering apps.

- All 6AN, 3ft. .... #14517..... \$17.95/ea.
- All 6AN, 6ft. .... #14519..... \$29.95/ea.



**ELBOWS**

- All 4AN x 1/8" NPT, 90° ..... #14373..... \$11.95/ea.
- All 4AN x 1/4" NPT, 90° ..... #14374..... \$9.95/ea.
- All 6AN x 1/4" NPT, 90° ..... #14375..... \$12.95/ea.
- All 6AN x 1/8" NPT, 90° ..... #14376..... \$9.95/ea.
- All 6AN x 3/8" NPT, 90° ..... #14377..... \$12.95/ea.
- All 8AN x 1/4" NPT, 90° ..... #14378..... \$16.95/ea.
- All 8AN x 3/8" NPT, 90° ..... #14379..... \$10.95/ea.
- All 10AN x 1/2" NPT, 90° ..... #14381..... \$17.95/ea.

**ALLEN SOCKET PIPE PLUGS**

- All 1/8" ..... #14399..... \$3.95/ea.
- All 1/4" ..... #14400..... \$3.95/ea.
- All 3/8" ..... #14401..... \$3.95/ea.
- All 1/2" ..... #14402..... \$3.50/ea.
- All 3/8", Black..... #14433..... \$4.95/ea.
- All 1/2", Black..... #14434..... \$3.95/ea.





# RUSSELL PERFORMANCE ON THIS PAGE ARE NEW PRODUCTS AT DANCHUK!!

*Under the Hood*  
RUSSELL FITTINGS



#19317

### PROCLASSIC II BLACK HOSES

- All 6AN, 6ft ..... #19311 ..... \$41.95/ea.
- All 6AN, 10ft ..... #19312 ..... \$66.95/ea.
- All 6AN, 20ft ..... #19313 ..... \$129.95/ea.
- All 8AN, 6ft ..... #19314 ..... \$34.95/ea.
- All 8AN, 10ft ..... #19315 ..... \$51.95/ea.
- All 8AN, 20ft ..... #19316 ..... \$99.95/ea.
- All 10AN, 6ft ..... #19317 ..... \$41.95/ea.
- All 10AN, 10ft ..... #19318 ..... \$59.95/ea.



### POWER STEERING HOSE ENDS IN STAINLESS

- All -6AN, Straight.. #14488 ..... \$17.95/ea.
- All -8AN, Straight . #14489 ..... \$19.95/ea.
- All -6AN, 45° ..... #14490 ..... \$24.95/ea.
- All -8AN, 45° ..... #14491 ..... \$19.95/ea.
- All -6AN, 90° ..... #14492 ..... \$22.95/ea.
- All -8AN, 90° ..... #14493 ..... \$27.95/ea.

### BLACK SWIVEL HOSE COUPLERS

- All 6AN, Straight... #19340 ..... \$7.95/ea.
- All 6AN, 90 Deg... #19341 ..... \$9.95/ea.
- All 8AN, 90 Deg... #19342 ..... \$20.95/ea.

### BLACK FLARE CAPS

- All 6AN ..... #19325 ..... \$4.95/ea.
- All 8AN ..... #19326 ..... \$5.95/ea.

#19353



### BLACK & SILVER O-RING BOSS FITTINGS

- 1955-57 ORB-6, 90deg, Black & Silver ..... #19353 ..... \$31.95/ea.
- 1955-57 ORB-8, 90deg, Black & Silver ..... #19354 ..... \$32.95/ea.
- 1955-57 ORB-10, 90deg, Black & Silver ..... #19355 ..... \$32.95/ea.

#19339



### BLACK STRAIGHT ADAPTERS

- All 6AN to 1/8" NPT ..... #19334 ..... \$3.95/ea.
- All 6AN to 1/4" NPT ..... #19335 ..... \$5.99/ea.
- All 6AN to 3/8" NPT ..... #19336 ..... \$3.95/ea.
- All 8AN to 3/8" NPT ..... #19337 ..... \$3.95/ea.
- All 8AN to 1/2" NPT ..... #19338 ..... \$3.95/ea.
- All 10AN to 1/2" NPT ..... #19339 ..... \$3.95/ea.

### BLACK TUBE SLEEVE

- 1955-57 8AN ..... #19331 ..... \$3.95/ea.

### BLACK TUBE NUTS

- All 6AN ..... #19332 ..... \$3.95/ea.
- All 8AN ..... #19333 ..... \$5.95/ea.

#19349



### BLACK FUEL PRESSURE TAKE OFF FITTINGS

- All 6AN w/ 1/8 Port#19349 ..... \$10.95/ea.
- All 8AN w/ 1/8 Port#19350 ..... \$8.95/ea.

#19351



### BLACK FLARE TO PIPE PRESSURE ADAPTERS

- 1955-57 ..... #19351 ..... \$7.95/ea.
- 1955-57 ..... #19352 ..... \$8.95/ea.

#19320



### BLACK SWIVEL HOSE ENDS

- All 6AN, 90 Deg... #19319 ..... \$10.95/ea.
- All 8AN, 90 Deg... #19320 ..... \$14.95/ea.
- All 10AN, 90 Deg.. #19321 ..... \$17.95/ea.

### BLACK HOSE ENDS

- All 6AN, 90 Deg ... #19322 ..... \$10.95/ea.
- All 8AN, 90 Deg... #19323 ..... \$14.95/ea.
- All 10AN, 90 Deg.. #19324 ..... \$15.95/ea.



### HOSE END WRENCHES

- All 6 AN ..... #14495 ..... \$28.95/ea.
- All 8 AN ..... #14496 ..... \$27.95/ea.
- All 10AN ..... #14497 ..... \$27.95/ea.



### ADJUSTABLE -AN FITTING WRENCH

This wrench works with any brand -AN or hex fitting. Its billet aluminum construction helps in preventing marring or scratches.

- All..... #18515 ..... \$55.95/ea.



### HOSE AND FITTING ASSEMBLY LUBE AND SEALANT KIT

- All..... #14494 ..... \$15.95/kit

### INTERVERTED FLARE ADAPTERS

- All 6AN to 1/2-20 Female ..... #19343 ..... \$9.95/ea.
- All 6AN to 5/8-18 Female ..... #19344 ..... \$10.95/ea.
- All 8AN to 1/2-20 Female ..... #19345 ..... \$10.95/ea.
- All 8AN to 5/8-18 Female ..... #19346 ..... \$10.95/ea.

### CARB/FUEL PUMP ADAPTERS

- All 6AN to 1/2-20 Male, Zinc ..... #19347 ..... \$6.95/ea.
- All 6AN to 5/8-18 Male, Zinc ..... #19348 ..... \$7.95/ea.

#19327



### BLACK FUEL CELL BULKHEAD FITTINGS

- All 6AN (Shown) ... #19327 ..... \$13.95/ea.
- All 8AN ..... #19328 ..... \$6.95/ea.
- All 10AN ..... #19329 ..... \$8.95/ea.

**WARNING!** Products on these pages may contain chemicals known to the State Of California to cause cancer and/or birth defects or reproductive harm. [www.p65warnings.ca.gov](http://www.p65warnings.ca.gov)



**THERMO-TEC STARTER HEAT SHIELD**

Eliminate starter problems caused by excessive heat with this easy to install starter heat shield kit. Kit includes heat shield and straps.

All 7" x 22" ..... #13071 ..... \$29.95/ea.



**THERMO-TEC THERMOSLEEVES**

ThermoSleeve combines high-temp fabric and a reflective foil that provides protection for hoses and wires. The sleeve is fireproof and oil resistant.

All 1/2" x 3-ft. .... #13066 ..... \$14.95/ea.

All 1" x 3-ft. .... #13067 ..... \$19.95/ea.

All 1-1/2" x 3-ft. .... #13068 ..... \$19.95/ea.

**THERMO-TEC THERMO-SHIELD**

Use the adhesive backed Thermo-Shield to wrap hoses and wiring you don't want to remove but do want to protect from heat.

All 1-1/2" x 15-ft. Roll

..... #13065 ..... \$18.95/ea.



**THERMO-TEC EXPRESS SLEEVES**

Express sleeves give you protection for hoses and wiring in an easy to install sleeve that closes with hook and loop closure and reflects up to 90% of radiant heat and are fireproof and oil-resistant.

All 3-ft. x 1-1/2" ID ..... #15643 ..... \$29.95/ea.

All 12-ft. x 1-1/2" ID ..... #15644 ..... \$104.95/ea.



**THERMO-TEC ADHESIVE HEAT BARRIERS**

Adhesive backed material can be wrapped around hoses or wires to make a clean professional appearance. Capable of withstanding radiant temps of up to 2000 degrees.

All 12" x 12" ..... #13062 ..... \$12.95/ea.

All 12" x 24" ..... #13063 ..... \$21.95/ea.

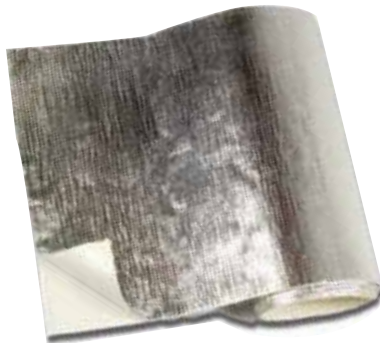


Photo courtesy of GERTMAN2000